

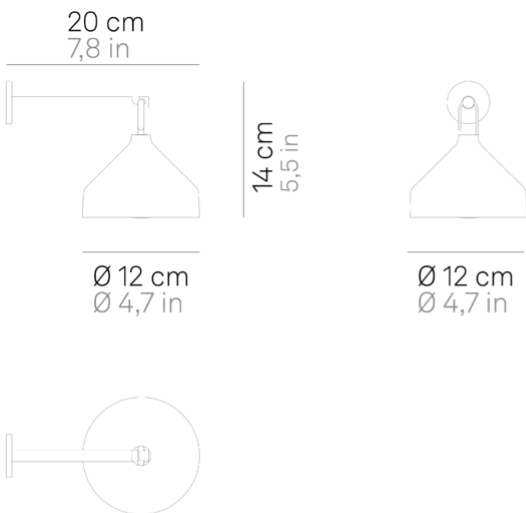
# Amelie \_Wall



Amelie is a collection of portable, rechargeable battery-operated lamps, designed by Sara Moroni, that includes the following models: table, floor, wall and suspension lamps, and lamp with peg.

The wall lamp is supplied with a silicone hook and a cap, so that they can be transformed into a suspension lamp.

On the head, a touch sensor allows you to switch it on, adjust the luminous intensity and select the color temperature of the light to 2200 K, 2700 K or 3000 K. With the high IP rating, the lamps can also be used outdoors. The lamps come with a contact charging base; battery charger not included.



LED sostituibile da utente

dimmable

IP65

## LD1092

	White	<b>B3</b>		Black	<b>D3</b>
		<b>T3</b>		Leaf green	<b>V3</b>



DESIGN IN ITALY BY ZAFFERANO SRL, China

Zafferano SRL - Viale dell'Industria, 26 31055 Quinto di Treviso  
- Italy [www.zafferanoitalia.com](http://www.zafferanoitalia.com)

# Amelie \_Wall

## Lighting specifications

source	LED sostituibile da utente
type	SMD
total power	30 W
power LED	30 W
color temperature	2200 - 2700 - 3000 K
lumen lamp	95 - 116 - 130 lm
lumen LED	253 - 300 - 308 lm
beam angle	110°
CRI	> 80
class	G
dimmer	TOUCH DIMMER
motion sensor	NO

## Electrical specifications

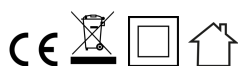
classe	3
input	100-240V
output	5 Vdc max 1A
battery life	10 h.
charging time	6 h.

## ACCESSORIES

### LD0340RA

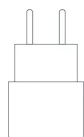


6 cm • 13.5 cm • 4.5 cm • 30 W  
• IP20 • 100-240V • 50/60 Hz

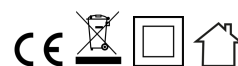


■ Black

### LD0490UA



2.5 cm • 4 cm • 8 cm • IP20  
• 100-240V • 50/60 Hz

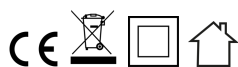


■ White

### LD0870RP



29 cm • 47 cm • 4 cm • 30 W  
• IP20 • 100-240V • 50/60 Hz



■ Black