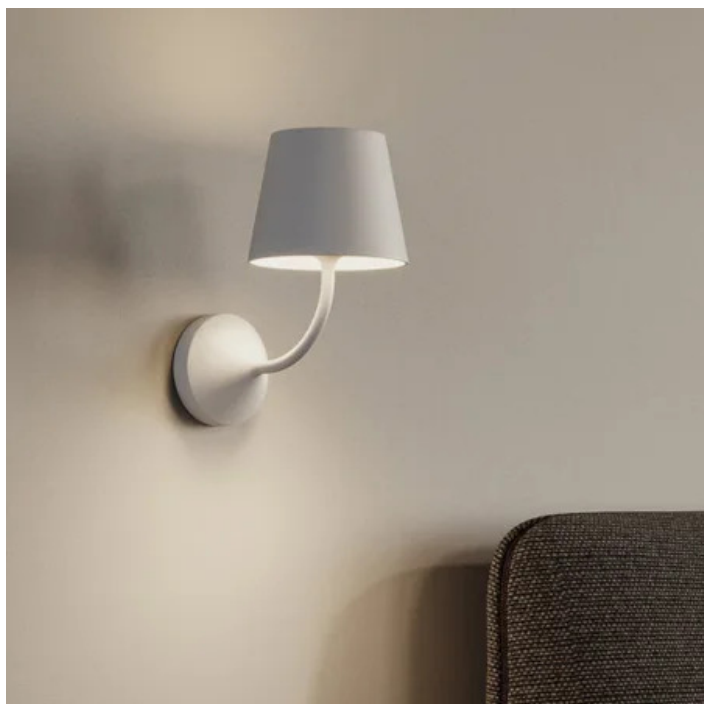
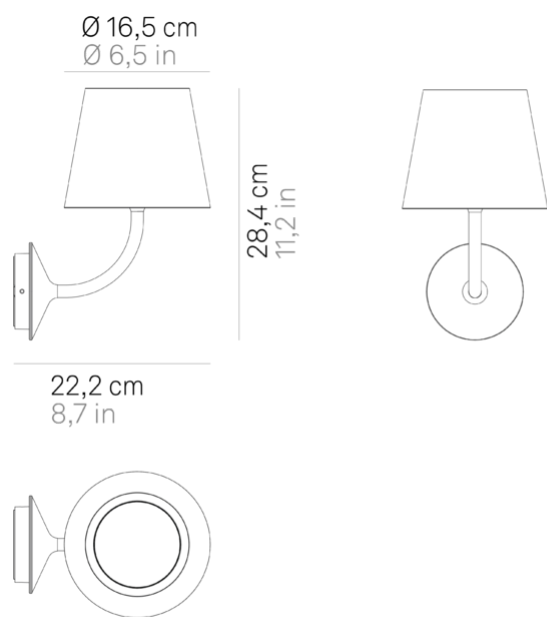


## Poldina 230V \_wall



Table, wall, floor, and suspension lamps with aluminum or die-cast aluminum structure, painted in matt white, corten or dark grey, and transparent polycarbonate diffuser. The light source is LED or E27 incandescent (E27 bulb not included). The LED versions are dimmable; the LED table lamp has the light color temperature selection function. The high IP rating (IP54) makes the wall lamps ideal for indoor and outdoor use.

Wall lamp with die-cast aluminum structure painted in matt white, corten or dark grey, and transparent polycarbonate diffuser. The high IP rating (IP54) makes the lamp ideal for indoor and outdoor use.



SORGENTE sostituibile da utente

not dimmable

IP54

LL0348

	White	B3		Dark gray	N3
		R3			



DESIGN IN ITALY BY ZAFFERANO SRL, China

Zafferano SRL - Viale dell'Industria, 26 31055 Quinto di Treviso  
- Italy [www.zafferanoitalia.com](http://www.zafferanoitalia.com)

# Poldina 230V \_wall

## Lighting specifications

---

source	SORGENTE sostituibile da utente
type	LAMPADINA E27 (G45)
total power	8 W

## Electrical specifications

---

classe	1
voltage	220-240V
frequency	50/60 Hz
batteria	2 cell li-ion battery pack mod. 18650 3,7v - 2500 ma/h

## ACCESSORIES

---