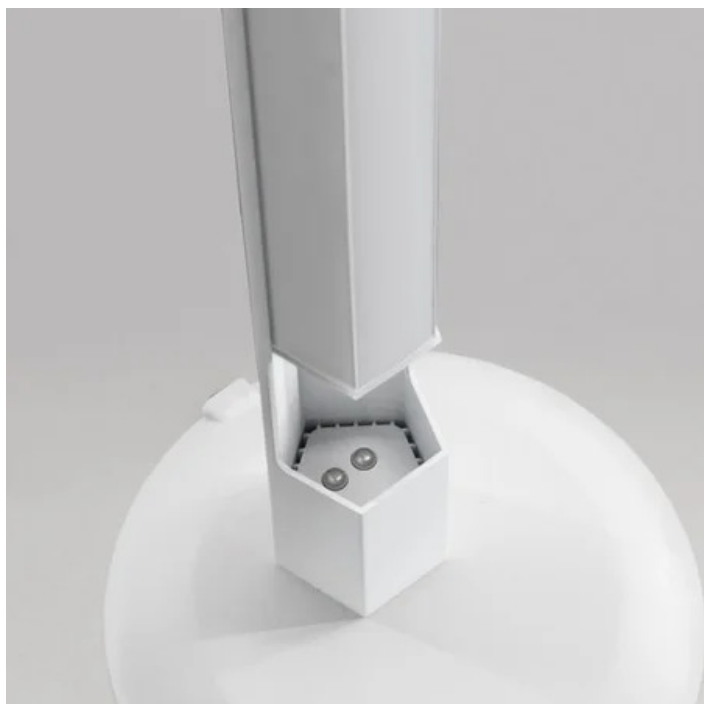
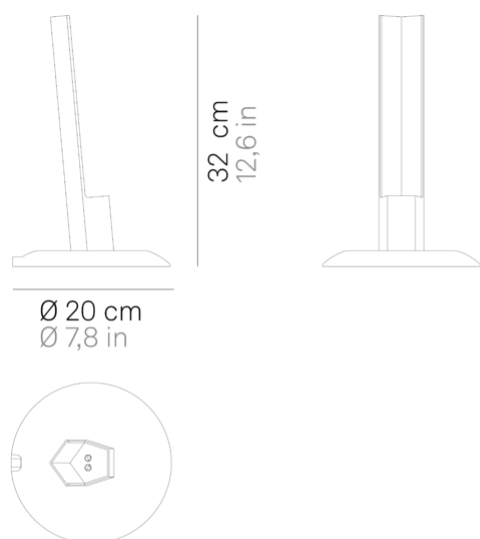


Pencil _Floor



A dual-function accessory: it is mainly used as a docking station, turning the lighting module Pencil (pg. 178) into a floor or table lamp. Connected to the battery charger, it becomes a contact charging base for the lighting module. The lighting module can be used in its fixed housing, or detached and carried from one place to another.



not dimmable

IP20

LD0810

	White	B3		R3
	Dark gray	G3		



DESIGN IN ITALY BY ZAFFERANO SRL, MADE IN PRC

Zafferano SRL - Viale dell'Industria, 26 31055 Quinto di Treviso - Italy www.zafferanoitalia.com

Pencil _Floor

Lighting specifications

motion sensor

NO

Electrical specifications

classe

3

ACCESSORIES
