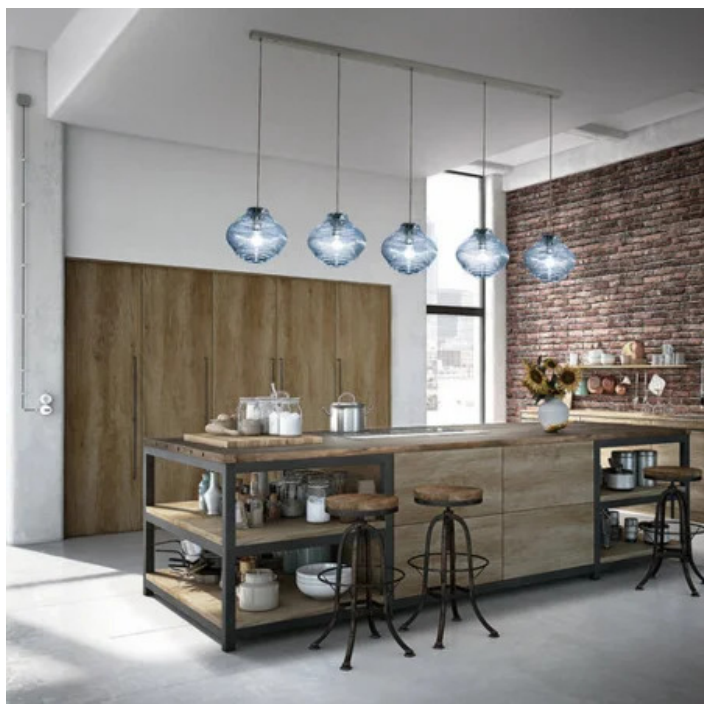
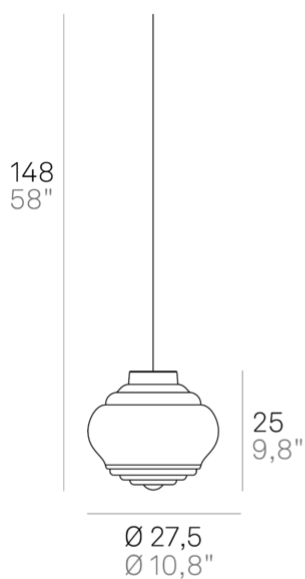


Bonnie _suspension



Suspension lamps with glass diffuser, mouthblown in standstill mould, with "rigadin" relief finish, in two shapes and in various colours. Grey painted metal frame, grey fabric cables. Bonnie e Clyde is a customizable product, both in colours and finishes, designed also for modular use.



E27 IP20

LBN01

	01	04
	05	09
	20	



DESIGN IN ITALY BY ZAFFERANO SRL, MADE IN PRC

Zafferano SRL - Viale dell'Industria, 26 31055 Quinto di Treviso - Italy www.zafferanoitalia.com

Bonnie _suspension

Lighting specifications

source	E27
type	LAMPADINA E27
total power	1x70 HS W
motion sensor	NO

Electrical specifications

class	2
voltage	220-240V
frequency	50/60 Hz

ACCESSORIES
