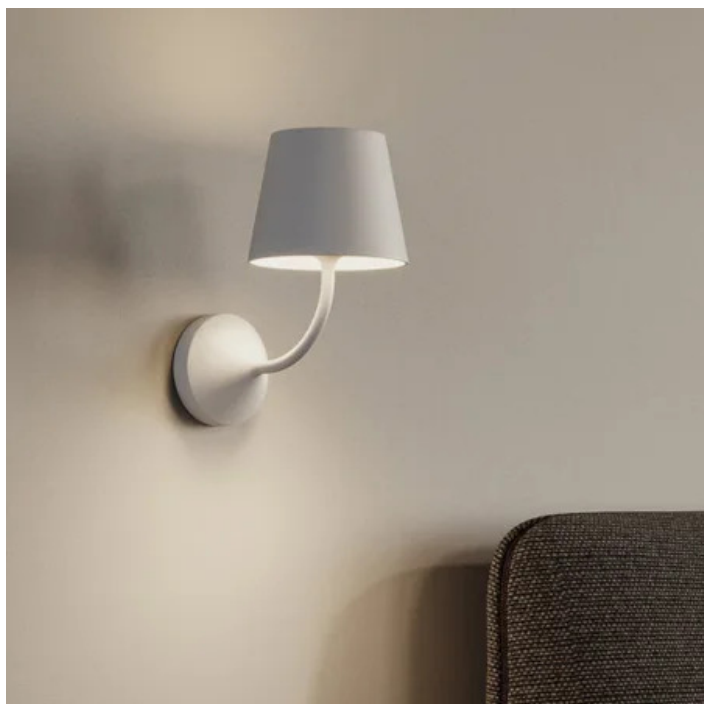
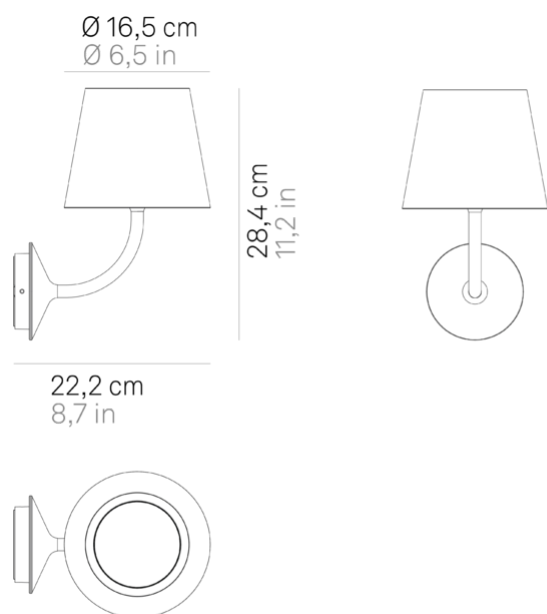


Poldina 230V _wall



Table, wall, floor, and suspension lamps with aluminum or die-cast aluminum structure, painted in matt white, corten or dark grey, and transparent polycarbonate diffuser. The light source is LED or E27 incandescent (E27 bulb not included). The LED versions are dimmable; the LED table lamp has the light color temperature selection function. The high IP rating (IP54) makes the wall lamps ideal for indoor and outdoor use.

Wall lamp with die-cast aluminum structure painted in matt white, corten or dark grey, and transparent polycarbonate diffuser. The high IP rating (IP54) makes the lamp ideal for indoor and outdoor use.



E27

not dimmable

IP54

LL0348

	White	B3		Dark gray	N3
		R3			



DESIGN IN ITALY BY ZAFFERANO SRL, MADE IN PRC

Zafferano SRL - Viale dell'Industria, 26 31055 Quinto di Treviso - Italy www.zafferanoitalia.com

Poldina 230V _wall

Lighting specifications

source	E27
type	LAMPADINA E27 (G45)
total power	8 W

Electrical specifications

class	1
voltage	220-240V
frequency	50/60 Hz
battery type	2 cell li-ion battery pack mod. 18650 3,7v - 2500 ma/h

ACCESSORIES
