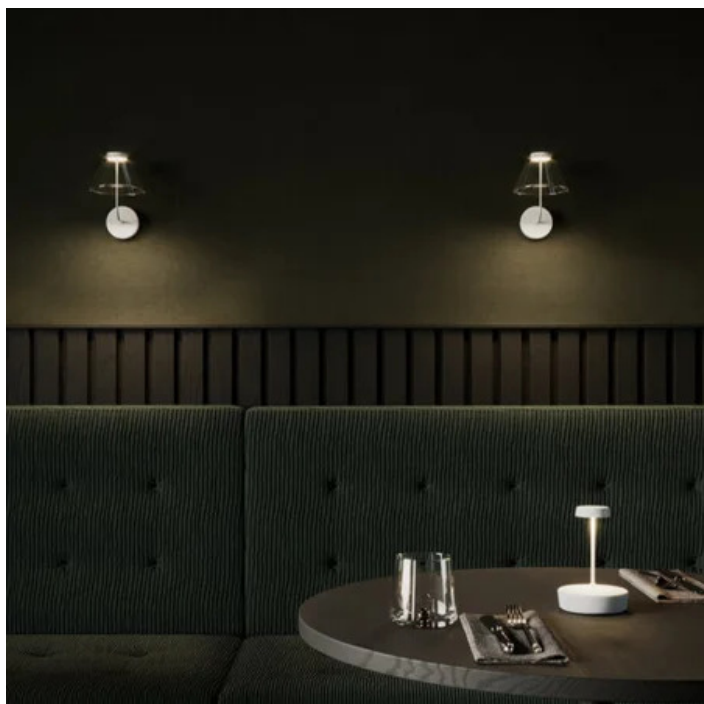
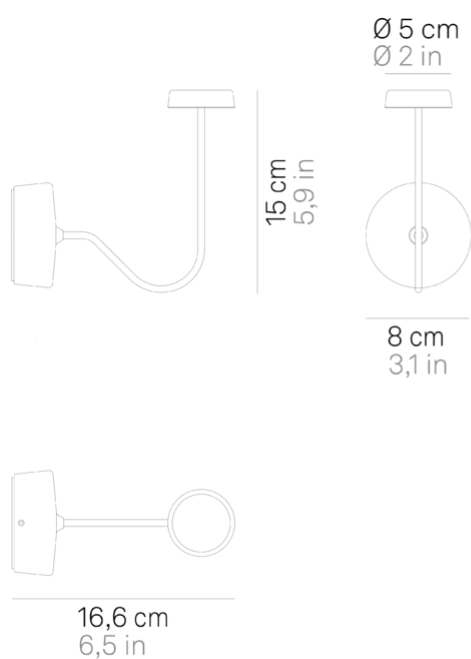


Swap 230V _wall



Wall lamps and wall-ceiling lamp in white, corten or dark grey painted diecast aluminum, with a transparent polycarbonate diffuser. The wall lamps can be customized choosing from a range of glass lampshades or a fabric "handkerchief", which are attached to the top of the lamp with a magnet.



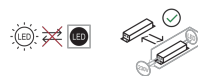
LED non sostituibile

not dimmable

IP20

LD1015

	White	B3		Black	N3
		R3			



DESIGN IN ITALY BY ZAFFERANO SRL, China

Zafferano SRL - Viale dell'Industria, 26 31055 Quinto di Treviso
- Italy www.zafferanoitalia.com

The company reserves the right to modify product specifications.

For more information visit www.zafferanoitalia.com

Swap 230V _wall

Lighting specifications

source	LED non sostituibile
type	SMD
total power	40 W
power LED	30 W
color temperature	2700 K
lumen lamp	300 lm
lumen LED	390 lm
beam angle	118°
CRI	> 90
class	E

Electrical specifications

classe	1
voltage	220-240V
frequency	50/60 Hz
input	220-240V
output	500 mA 25-8V
batteria	2 cell li-ion battery pack mod. 18650 3,7v - 2500 ma/h

ACCESSORIES
