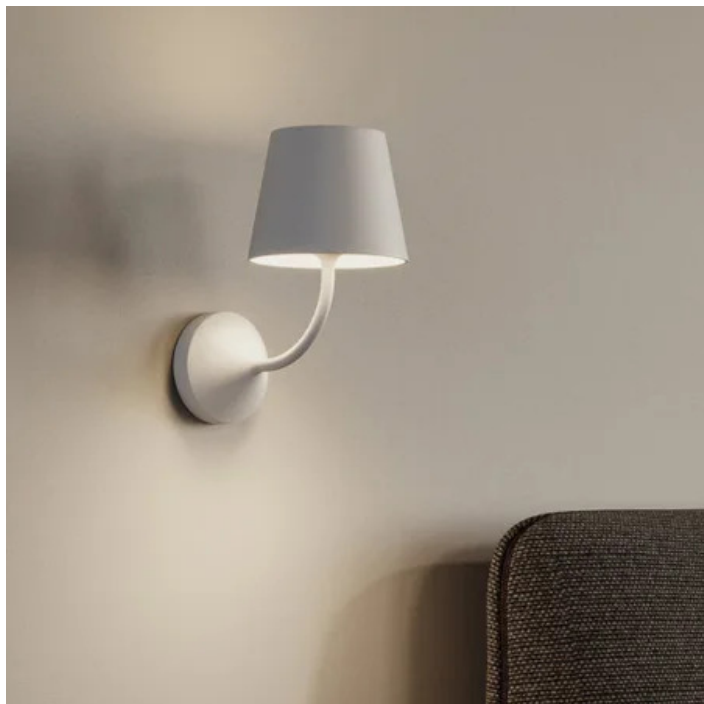
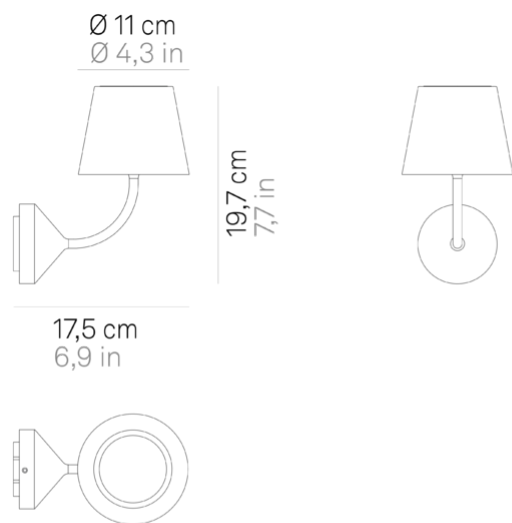


Poldina 230V _wall



Table, wall, floor, and suspension lamps with aluminum or die-cast aluminum structure, painted in matt white, corten or dark grey, and transparent polycarbonate diffuser. The light source is LED or E27 incandescent (E27 bulb not included). The LED versions are dimmable; the LED table lamp has the light color temperature selection function. The high IP rating (IP54) makes the wall lamps ideal for indoor and outdoor use.

Wall lamp with die-cast aluminum structure painted in matt white, corten or dark grey, and transparent polycarbonate diffuser. The high IP rating (IP54) makes the lamp ideal for indoor and outdoor use.



LED dimmable IP54

LD0348

 White	B3	 Dark gray	N3
	R3		

CE   EAC



DESIGN IN ITALY BY ZAFFERANO SRL, MADE IN PRC
Zafferano SRL - Viale dell'Industria, 26 31055 Quinto di Treviso - Italy www.zafferanoitalia.com

Poldina 230V _wall

Lighting specifications

source	LED
type	SMD
total power	5.4 W
power LED	3.0 W
color temperature	2700 K
lumen lamp	300 lm
lumen LED	446 lm
beam angle	54°
CRI	> 80
source class	D
dimmer	TRIAC
motion sensor	NO

Electrical specifications

class	1
voltage	220-240V
frequency	50/60 Hz
driver input	220-240V
driver output	350 mA - 8/13V
battery type	2 cell li-ion battery pack mod. 18650 3,7v - 2500 ma/h

ACCESSORIES
