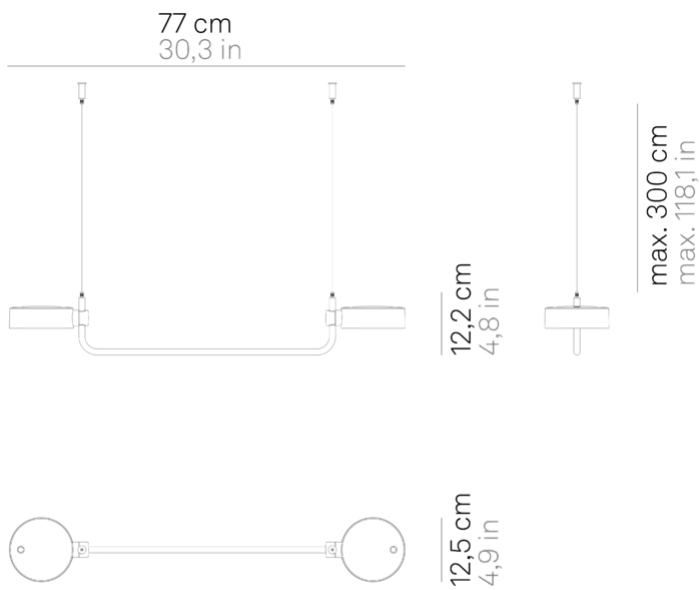


Super O _Suspension



LED sostituibile da utente  IP65

LD1153

| | | | | | |
|---|-------|-----------|---|-------|-----------|
|  | White | B3 |  | Black | N3 |
|---|-------|-----------|---|-------|-----------|



DESIGN IN ITALY BY ZAFFERANO SRL, China

Zafferano SRL - Viale dell'Industria, 26 31055 Quinto di Treviso
- Italy www.zafferanoitalia.com

Super O _Suspension

Lighting specifications

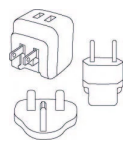
| | |
|-------------------|----------------------------|
| source | LED sostituibile da utente |
| type | SMD |
| total power | 2x35 W |
| power LED | 2x30 W |
| color temperature | 2700 - 3150 - 4000 K |
| lumen lamp | 2x226 - 2x262 - 2x261 lm |
| lumen LED | 2x287 - 2x331 - 2x336 lm |
| beam angle | 94° |
| CRI | > 90 |
| class | F |
| dimmer | TOUCH DIMMER |
| motion sensor | NO |

Electrical specifications

| | |
|---------------|--|
| classe | 3 |
| input | 100-240V |
| output | 5 Vdc max 2A |
| battery life | 100% 11 h. - 60% 18 h. - 30% 36 h. - 6% 160 h. |
| charging time | 5 H. |

ACCESSORIES

LD0300UC



4.4 cm • 4.4 cm • 3.6 cm • IP20
• 100-240V • 50/60 Hz

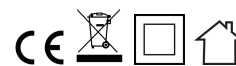


Black

LD0340RA



6 cm • 13.5 cm • 4.5 cm • 2x35 W
• IP20 • 100-240V • 50/60 Hz



Black

LD1060

Ø 3 cm • 1 cm • IP20
• 5 Vdc max 2A • 50/60 Hz

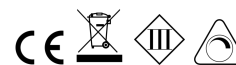


RB

LD1060



Ø 12.5 cm • 4.3 cm • 2x35 W
• 287 - 331 - 336 lm
• 2700 - 3150 - 4000 K • IP65
• CRI > 90 • 5Vdc max. 2A • 50/60 Hz



White

B3

Black

N3