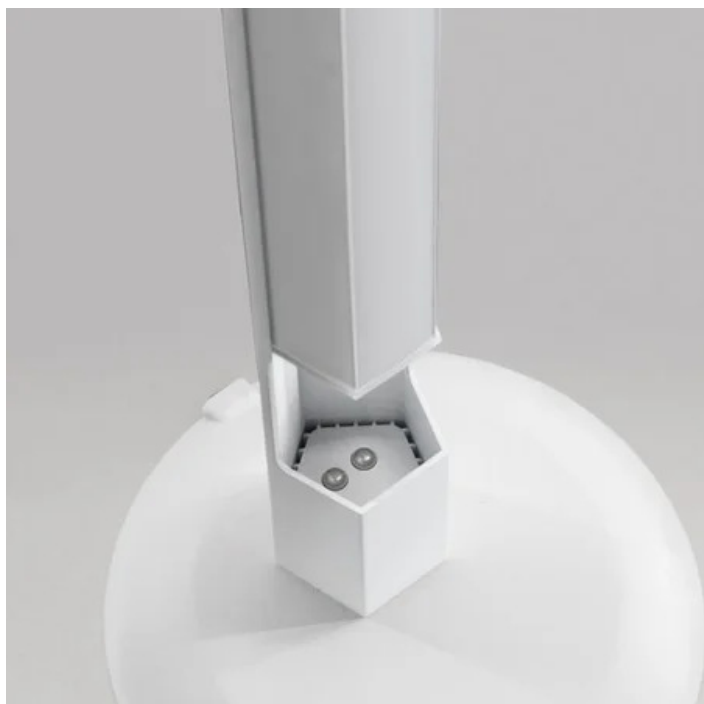
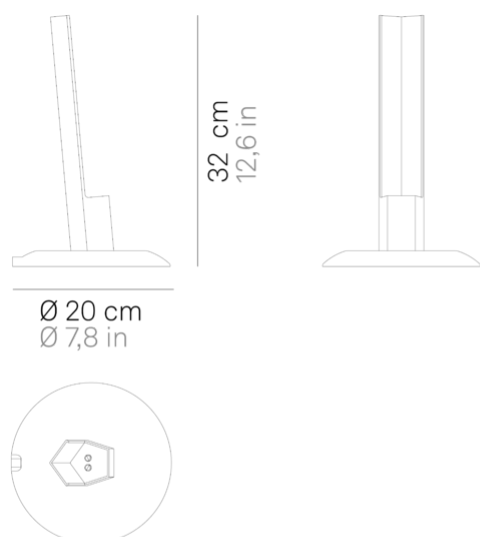


# Pencil \_Floor





A dual-function accessory: it is mainly used as a docking station, turning the lighting module Pencil (pg. 178) into a floor or table lamp. Connected to the battery charger, it becomes a contact charging base for the lighting module. The lighting module can be used in its fixed housing, or detached and carried from one place to another.



not dimmable

IP20

LD0810

	White	B3		R3
		G3		



DESIGN IN ITALY BY ZAFFERANO SRL, China

Zafferano SRL - Viale dell'Industria, 26 31055 Quinto di Treviso  
- Italy [www.zafferanoitalia.com](http://www.zafferanoitalia.com)

# Pencil \_Floor

## Lighting specifications

---

motion sensor

NO

## Electrical specifications

---

classe

3

## ACCESSORIES

---